

Expobar Megacrem with Grinder

Complete with built in grinder for instant results

Made with both the barista and coffee shop in mind, the Expobar Megacrem with integrated grinder provides a one-stop shop for espresso-making excellence.

A minimalistic design and trademark Expobar quality finish ensure that this is ideal coffee machine for a multitude of business.



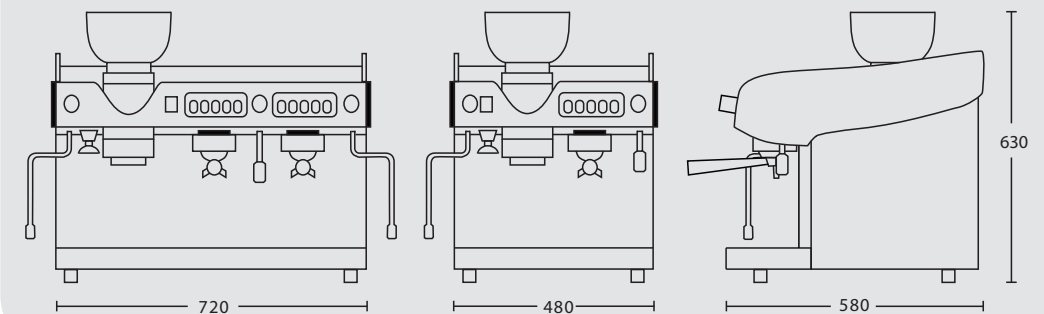
EXPOBAR

One group version

KEY FEATURES

- Automatic grinder with 60mm cutting blades and adjustable dosing
- Pre-infusion to help extract the perfect espresso every time
- 4 different programmable coffee doses per group
- Moveable hot water tap
- Dual steam arms for convenient milk frothing (2 group model only)
- Automatic back-flush brewing group to make cleaning easier
- Copper boiler with heat exchanger per group

SPECIFICATIONS



Groups	Boiler Capacity	Voltage	Heating Elements	Electrical Input	Weight	Dimensions
1	6 litre	230v / 50hz / 1	2800W	12.2A	36kg	W480 x D580 x H520
2	6 litre	230v / 50hz / 1	2800W	12.2A	41kg	W480 x D580 x H520

caffé society

www.caffesociety.co.uk

info@caffesociety.co.uk

Call today for a free demo

01977 687580

