

Expobar Carat Eco – Tall Cup

As well as having stunning good looks and making great coffee, the Expobar Carat is also one of the most energy efficient espresso machines on the market.

A learning procedure tracks how you use the Carat, with the machine adapting to your usage levels and adjusting energy consumption to ensure it is ready whenever you need it, and switches into energy saving mode when idle.

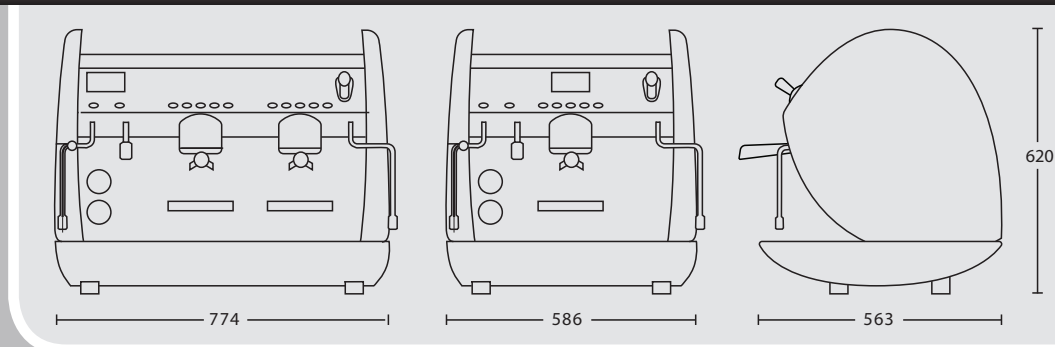
With other great features such as PID technology, preinfusion and an automatic steam arm, the Carat is a great addition to any coffee shop.



KEY FEATURES

- **PID System** - Water temperature is automatically regulated, with changes being made in real-time.
- **Energy efficient** - intelligent and adaptable, ready when you need it and in energy saving mode when you don't. Able to save up to 50% energy.
- **Digital Display** - Easy to read and operate LCD display shows valuable data such as water and temperature levels, and a shot timer.
- **Pre-infusion chambers** to help extract the perfect espresso every time
- **1 programmable automatic steam wand** and 1 standard steam wand
- **Colour:** Black or White
- Raised groups for tall cups with sliding cup trays for espresso
- Automatic back-flush to make cleaning easier
- Automatic hot water dosing
- Copper insulated boiler with group heat exchangers
- Boiler drain tap
- Automatic On/Off setting

SPECIFICATIONS



Groups	Boiler Capacity	Voltage	Heating Elements	Electrical Input	Weight	Dimensions
1	6 litre	230v / 50hz / 1	2770W	12.1A	45kg	W586 x D563 x H620
2	11.5 litre	230v / 50hz / 1	3330W	14.5A	52kg	W774 x D563 x H620

caffé society

www.caffesociety.co.uk

info@caffesociety.co.uk

Call today for a free demo

01977 687580

