

Astoria Storm Coffee Machine

A true fusion of the exacting barista, modern technology and espresso expertise, the Astoria Storm coffee machine is truly one of the finest options available on the market.

Proving to be the pinnacle of precision, the Storm allows you, the barista, to have control over every aspect of your brewing and espresso extraction process for coffee that is truly bespoke to your business.

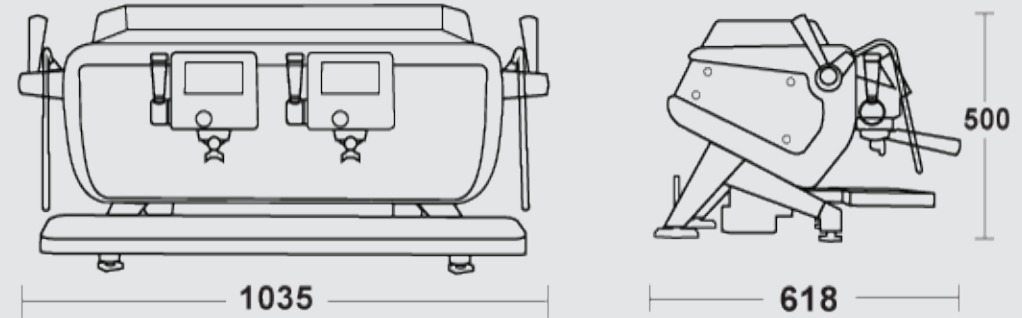
Unique technology has been introduced specifically for this machine, making it a true fusion of Astoria's hallmark excellence and the 21st Century tech.



KEY FEATURES

- **Unrivalled extraction** - Calibrate your espresso extraction with true precision
- **Lever operated groups** - Hand-pull espressos but utilising innovative precision technology
- **Industrial design** - Beautifully crafted, this is unlike anything available on the market
- **Cantilever steamwands** - Anti-scalding wands that are as powerful as they are attractive
- **Touchscreen controls** - A touchscreen panel is included on each group for true brew control
- **Oak finished group handles** - Ergonomic treated oak for comfortable usage
- **Multiple finishes** - Tailor to suit your style with various metal and wood finish options
- Energy saver: Automatic On/Off & Standby modes save on running costs
- Designed and crafted in Italy
- Low profile design
- Models available: 2 & 3 Groups
- Electronic cup warmer
- Hot water tap
- Bluetooth connectivity
- Steam boost function
- Dimmable LED lighting
- Steam boiler capacity: 8.5 litre
- Boiler capacity: 2 or 3 x 1.2 litre

SPECIFICATIONS



Groups	Boiler Capacity	Voltage	Power	Electrical Input	Weight	Dimensions
2	2 x 1.2 litre	230v / 50hz / 1	6315W	27.5A	85kg	W1035 x D618 x H500
3	3 x 1.2 litre	230v / 50hz / 1	7985W	34.7A	105kg	W1175 x D618 x H500

caffè society

www.caffesociety.co.uk

info@caffesociety.co.uk

Call today for a free demo

01977 687580

