

Astoria Treviso R (Tall Cup *)

The Astoria Treviso R is designed for the busy coffee shop that wants the look of a traditionally styled coffee machine with modern coffee brewing technology, all wrapped up in a solid, reliable body. The newly restyled Treviso R with looks incredible while making the perfect cup of coffee.



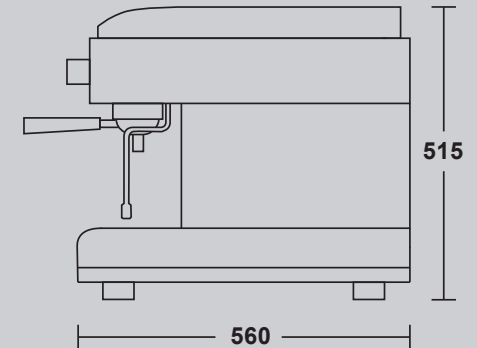
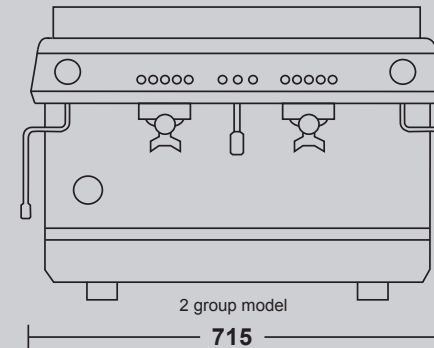
Manufactured by



KEY FEATURES

- Superb stainless steel and painted panel design
- Restyled panels and button configuration
- Available with Black or Red panels
- 1, 2 and 3 group models
- Touch pad drink dose selection with independent dosages for each group
- Double gauge for boiler and pump pressure control
- 2 and 3 group models are tall cup, allowing for larger takeaway cups
- Cup warmer means drinks stay hot for longer
- Two swivelling steam arms
- Moveable hot water tap
- Top quality copper boiler and pipework

SPECIFICATIONS



Groups	Boiler Capacity	Voltage	Heating Elements	Electrical Input	Weight	Dimensions
1*	6 litre	230v / 50hz / 1	3200w	13.9A	58kg	W5 05 x D560 x
2	10.5 litre	230v / 50hz / 1	3900w	17A	71kg	W715 x D560 x H515
3	17 litre	230v / 50hz / 1	5800w	25.2A	90kg	W955 x D560 x H515

*The one group model has a standard height group, not tall cup

Caffé Society

www.caffesociety.co.uk info@caffesociety.co.uk

Call today for a free demo

01977 687580

