

Astoria Treviso Compact

Versatile compact machine with Easy Cappuccino attachment

The restyled Astoria Treviso R Compact makes creating barista quality coffee childs play. It can be configured to work with either pods, capsules or ground coffee and is a great way for anyone to make perfect cappuccinos and lattes with little or no experience at all. If using capsules or pods there is no need for a grinder so no mess.

With its compact body it will fit into the tightest of workspaces. The easy cappuccino attachment takes the work out of foaming milk meaning you can make beautiful cappuccinos and lattes effortlessly.



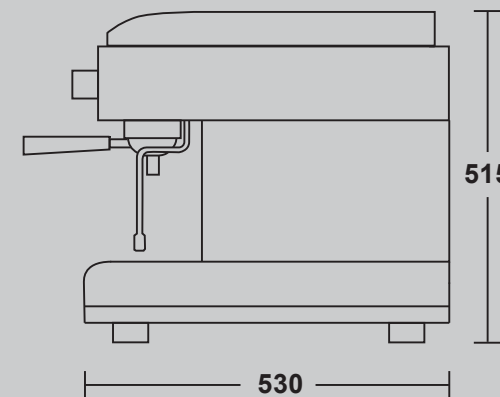
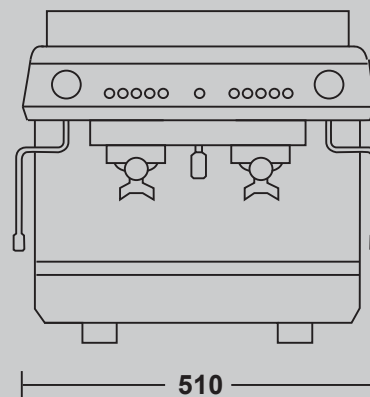
**WORKS WITH
CAPSULES, PODS
OR GROUND COFFEE**



KEY FEATURES

- Available as a capsule/pod/ground coffee version - Ask for details
- Coffee capsules/pods remove the need to train/pay a barista and the worries of keeping coffee fresh
- Superb stainless steel and painted panel design
- Tank (4 litres) or mains fill versions available
- Swivelling manual steam arm
- Hot water tap
- Small foot print perfect for sites with limited space

SPECIFICATIONS



Groups	Boiler Capacity	Voltage	Heating Elements	Electrical Input	Weight	Dimensions
2	2 litre	230v / 50hz / 1	2500w	10.9A	44kg	W510 x D530 x H515

Caffé Society

www.caffesociety.co.uk info@caffesociety.co.uk

Call today for a free demo

01977 687580

