

Expobar Megacrem Compact

The Expobar Megacrem Compact Control is incredibly reliable and capable coffee machine with a small footprint and an affordable price point.

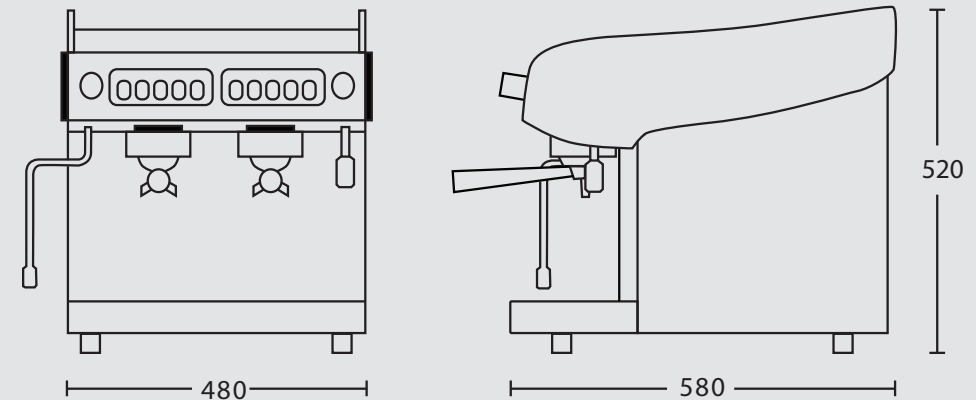
Featuring tried and tested technology such as pre-infusion and 4 different programmable doses per group, it offers many of the same features as its full size counterparts.



KEY FEATURES

- Pre-infusion – A standard pre-infusion function allows for increased levels of consistency during the coffee extraction process.
- 4 different programmable dosages per group
- Designed for smaller spaces but with big machine power
- Copper boiler with heat exchange
- Built-in volumetric pump
- Automatic group head back flush
- Automatic coffee control makes the Megacrem Compact simple to operate
- Adjustable steam arm
- Cup warmer means drinks stay hot for longer
- Suitable for large takeaway cups

SPECIFICATIONS



Groups	Boiler Capacity	Voltage	Heating Elements	Electrical Input	Weight	Dimensions
1	6 litre	230v / 50hz / 1	2800W	12.2A	36kg	W480 x D580 x H520
2	6 litre	230v / 50hz / 1	2800W	12.2A	41kg	W480 x D580 x H520

caffé society

www.caffesociety.co.uk

info@caffesociety.co.uk

Call today for a free demo

01977 687580

