

# Nuova Simonelli Musica Lux

Designed by the world famous Italian manufacturer, the Musica Lux is a brilliant coffee machine that will light up any establishment. It features a user friendly interface and numerous must-have professional features that traditionally aren't found on compact one group models, such as its copper boiler with integrated heat exchange.



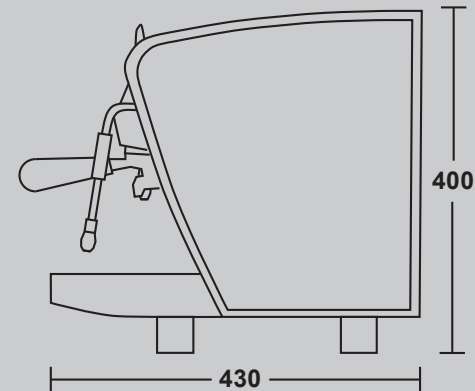
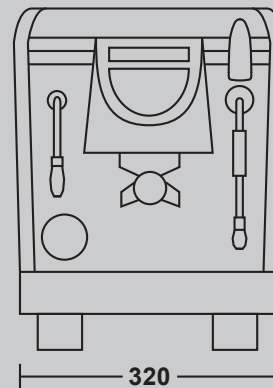
Stunning, energy efficient white LED lights frame the machine (lights can be switched off if required).



## KEY FEATURES

- Stainless steel body
- Swivelling steam arm
- Moveable hot water tap
- Small foot print perfect for sites with limited space
- Cup Warmer
- Water stop valve
- Pressure gauge
- Sound-proofed pump with volumetric dosing
- Insulated 2 litre copper boiler with integrated heat exchange for added thermal stability
- Thermocompensated brew group with preinfusion
- Backlit soft-touch keypad controls
- Adjustable brightness control
- Stunning contemporary design with energy efficient white LED side lights (can be switched off if required)

## SPECIFICATIONS



- Tank fill or plumbed
- Tank capacity: 3 litre

Groups	Boiler Capacity	Voltage	Heating Elements	Electrical Input	Weight	Dimensions
1	2 litre	240v / 50hz / 1	1200w	7.5A	20kg	W270 x D430 x H400

# Caffé Society

[www.caffesociety.co.uk](http://www.caffesociety.co.uk)

[info@caffesociety.co.uk](mailto:info@caffesociety.co.uk)

Call today for a free demo

# 01977 687580

